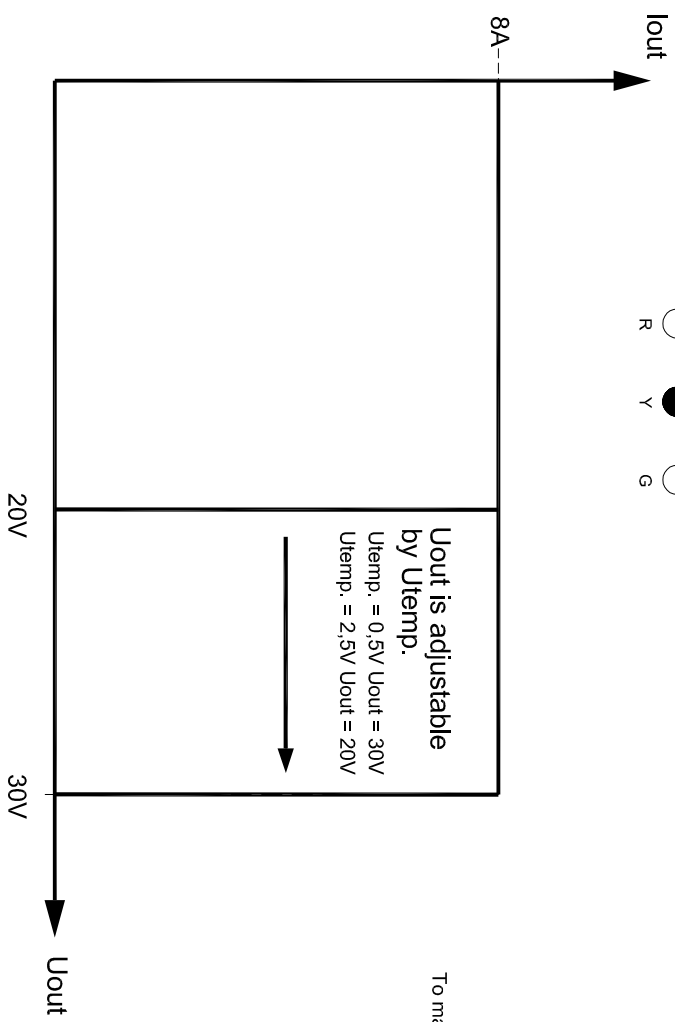
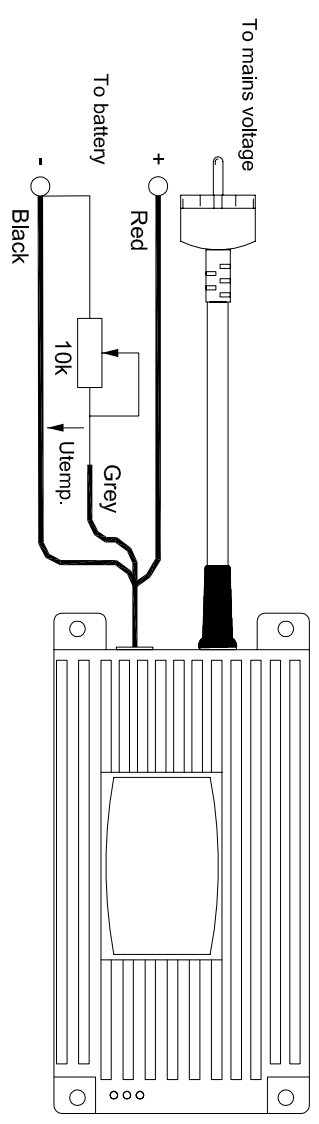


Charging

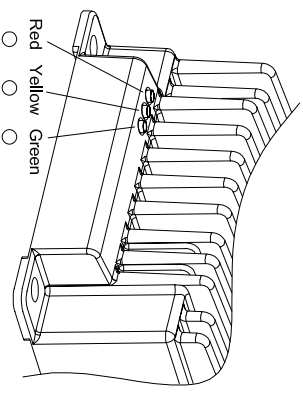
- R
- Y
- G



Connection of charger



Indicators



Output current will be reduced in steps if charger temperatur is high

Customer approved sign.	Characteristic verified sign.	Edition:	Drawing sign. 2	KS	Drawing Dat. 2	060208
		0,5	Drawing sign. 1	JHS	Drawing Dat. 1	060202
Charging characteristic LK50-200 for SMC-HF 24/8. 20-30V 8A			Doc.no:	D-4075		

