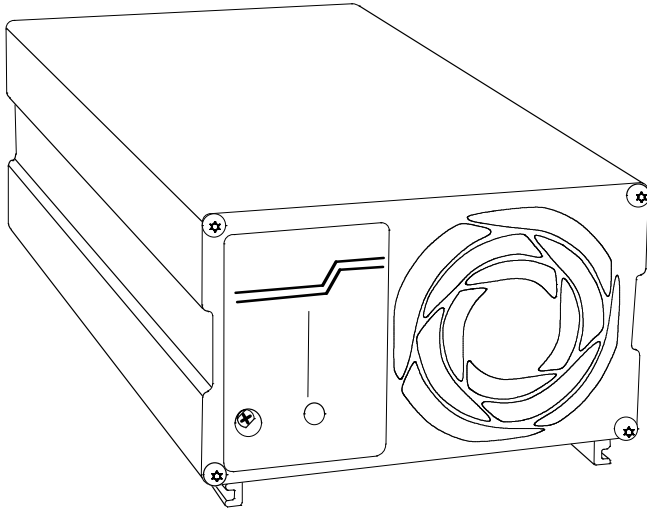


PAC750U PRELIMINARY INFORMATION



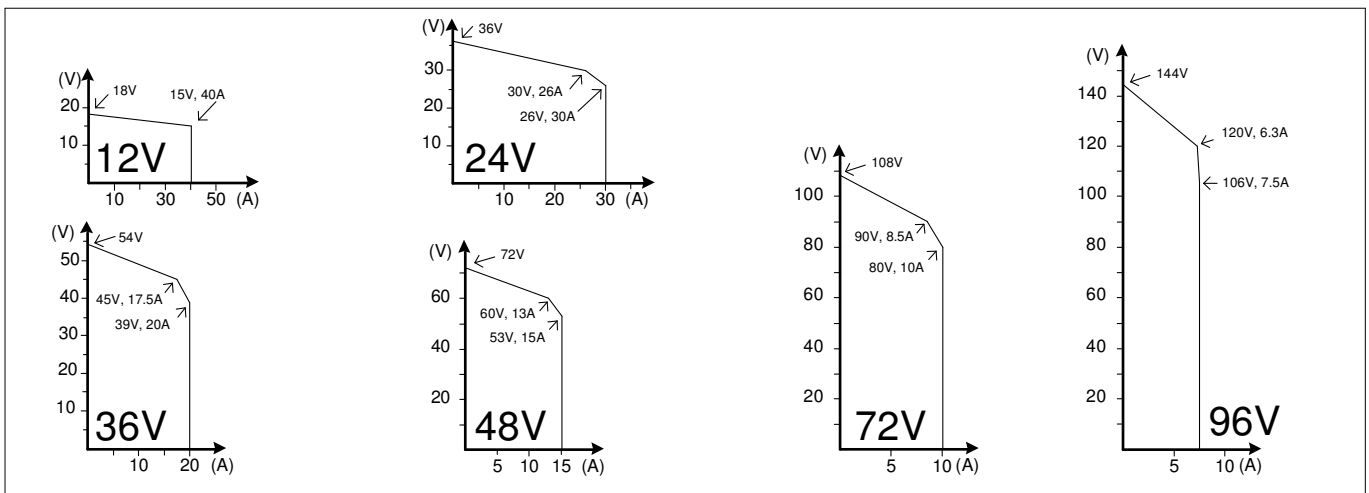
Features:

- High power density**
- Light weight 1,55 kg**
- Built in PFC**
- Series/parallel connection**
- Master/slave connection**
- Wide input voltage range**

The Powerfinn PAC750U battery charger is microprocessor controlled and suitable for all kind of batteries. The charger uses modern switching technology resulting in a lightweight, small and powerful product. The intelligent controller extends battery life.

Intelligent options available

- Master-slave connection; remote control
- Temperature compensation
- Voltage drop compensation wires
- IP20-enclosure
- External LED
- Alarm relay output



PAC750U PRELIMINARY INFORMATION

Technical data

Input voltage		55...250Vac (65...110Vac reduced power)
Input current		9A
Power factor		>0.98 typical
Efficiency (240Vac, 10%...100% load)		84% typical
Inrush current		<30A, limited by NTC resistor
Input fuse (inside the unit)		10A
Line regulation		±0.1%
Load regulation		±0.5%
Output setting accuracy		±0.1%
Output ripple (f>50Hz)		<50mVrms
Hold up time		>5ms
Status LED indication		Orange: Power OK
Isolations	input-chassis	1500Vac
	input-output	3750Vac
	output-chassis	500Vac
Standards	Safety	EN 60335-2-29: 1996 + A11:1997 (IEC335-2-29:2002 modified) *)
	EMC	EN 55022A
Approval		All models are CE marked
Protection class	mechanical	IP20, metal enclosure
	Electrical	Class 1
Dimensions	w x h x d	220 x 112 x 73 mm
Weight		1.55 kg
Mounting		DIN-rail, wall, bench
Cooling		Temperature controlled fan
Operating temp range		-25°C...+40°C

*) Note that article 10.101 (the no-load dc output voltage shall not exceed 42,4V) is not fulfilled for chargers with an output greater than 36V.

